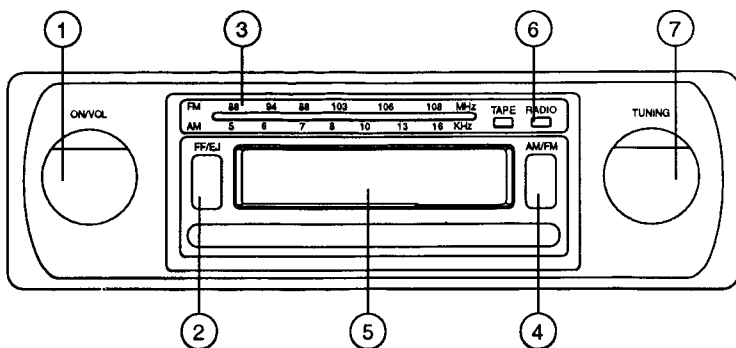


SPIDOMAT
Hilti AG, Kirchzarten, Germany



JM-34M

INSTRUCTION MANUAL



CONTROL OPERATION

1. VOLUME CONTROL

Rotate the "VOLUME" knob to right for increasing the degree of sound.

2. FAST FORWARD / EJECT BUTTON

To fast wind the tape push the button half way in, to eject the tape push the button fully in. To resume the player in play mode, push and release the button to "UP" position.

3. RADIO DIAL SCALE

4. BAND SELECTOR

Push this button in for FM band and out for AM band.

5. CASSETTE COMPARTMENT

Hold the cassette lengthwise and insert it into the compartment to start cassette playing.

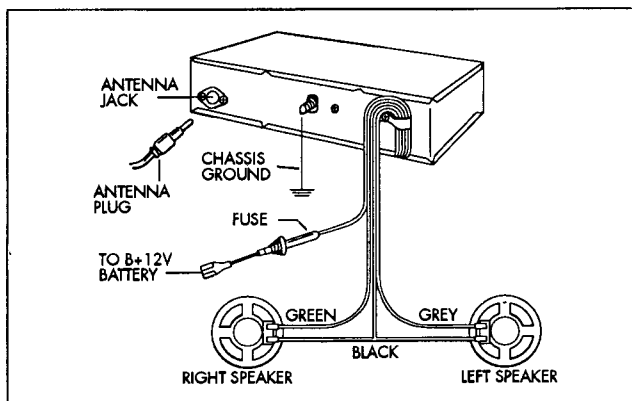
6. RADIO INDICATOR

A glow of this indicator represents radio reception is being ON.

7. TUNING

Rotate this knob to select the desired station.

ELECTRIC CONNECTION



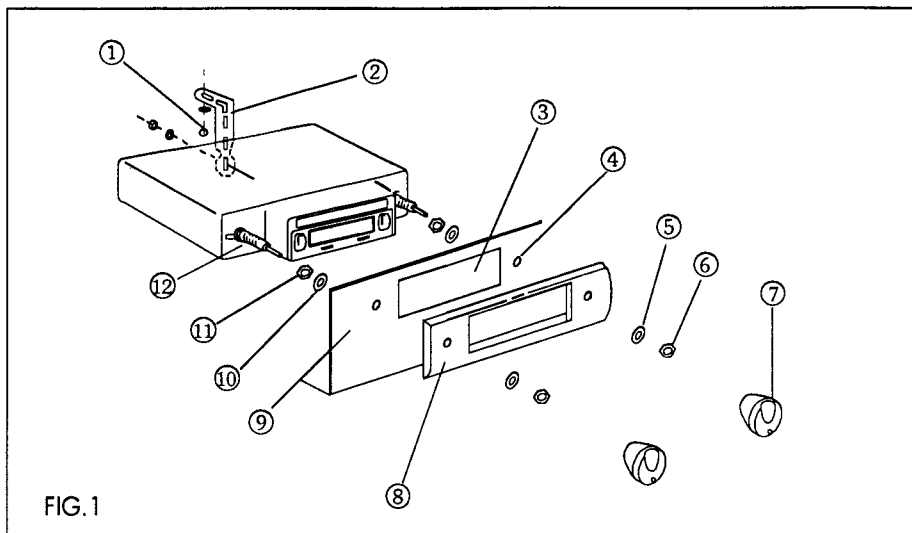


FIG. 1

SPECIFICATIONS

SPECIFICATIONS	
RADIO SECTION	
Tuning range	FM : 87.5-108 MHz AM : 525-1630 KHz
Sensitivity	AM : Better than 30 μ V FM : Better than 6 μ V
Stereo Separation	: Better than 25dB
Stereo Sensitivity	: Better than 30 μ V
CASSTTE SECTION	
Tape speed	: 4.75 cm/s
Wow and Flutter	: Less than 0.4% r.m.s
Channel Separation	: Better than 30dB
Signal to noise ration	: Better than 40dB
AUDIO & GENERAL	
Supply Voltage	: 11-14 volts D.C.
Total Output Power	: 12 Watts (L+R channel)
Frequency Response	: 100-10,000 Hz
Cassette Mechanium	: 4 Track Stereo with Auto-Stop
Dimensions	: 178(W) x 110(D) x 44(H) mm
Weight	: 0.8 KG

1. Machine Screw
2. Rear Support Strap
3. Radio Opening
4. Control Shaft Opening
5. Flat Washer
6. Hex Nut
7. Front Knob
8. Trim Plate
9. Instrument Panel
10. Flat Washer
11. Hex Nut Spacing
12. Control Shaft

